

FireFX



Echo & Eton

Woodburning Stoves

Key Features

- Choice between modern and traditional styling
- Large window for maximum flame view
- Cast iron and steel construction
- Radiant heat
- High Efficiency Wood burning stoves
- Maximum efficiency: 82.7%
- Energy efficiency class: A+
- Nominal heat output & range: 5kW (3.5 - 7.5kW)
- DEFRA-exempt for smoke control zones
- Cleanburn & Airwash Systems
- Ecodesign compliant
- Simple-to-use controls
- Integrated external air connection for direct air supply
- Flue outlet: 5" top or rear
- Maximum log length: 330mm
- Suitable for use on 12mm hearth
- Lined with high-quality vermiculite panels
- Integrated leveling system for uneven floor surfaces
- 5 Year Extended Warranty (see reverse)
- Designed & Engineered in Britain



See them burning
firexfires.com/echo-eton



FireFX

Comfort That Lingers

With their inviting glow and quietly confident design, FireFX Echo and Eton woodburning stoves bring warmth that goes beyond heat alone. Each design transforms your living space into a relaxing haven to unwind - where the beauty of real flames meets the assurance of quality craftsmanship.

Echo's clean, contemporary lines make a refined statement in modern interiors, while Eton's classic detailing brings a sense of tradition with its characterful form. Both are built from cast iron and steel for enduring strength and feature large viewing windows that frame the rolling flames within. With their ample warmth, high efficiency of up to 82.7%, and easy operation, Echo and Eton are made to deliver comfort that truly lingers.



Eton

Eton





See them burning
firexfires.com/echo-eton



Five Year Extended Warranty

When you purchase a FireFX stove from our Expert Retailer Network your retailer will provide you with a Two Year Warranty for your new solid fuel stove. This can then be extended to a Five Year Warranty provided your stove is registered with FireFX. Full warranty terms and conditions are available to view at firexfires.com



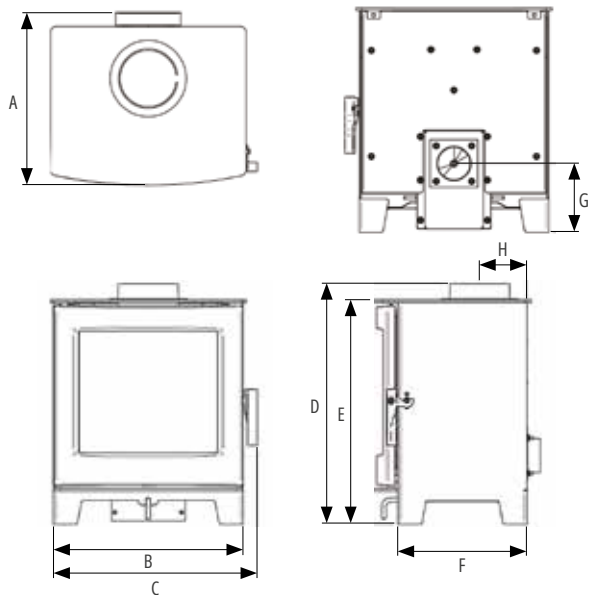
Echo

Ecodesign Performance

FireFX Echo and Eton stoves comply with the latest Ecodesign standards for low emissions and high-efficiency - setting the benchmark for cleaner, responsible home heating. Burning sustainably-sourced wood offers a low-carbon way to warm your home, and seasoned or kiln-dried logs ensure optimum performance and a more efficient burn.



Technical Information



Dimensions

Dimensions given are in mm

Model	Product Code	A	B	C	D	E	F	G	H
Echo	732-082	396	436	469	552	515	297	158	109
Eton	732-016	382	436	469	552	515	297	158	109
Optional External Air Pipe – 80mm	998-080								

Distance to Combustibles

Rear	Sides	Above
100mm* / 300mm	450mm	425mm

*100mm is achievable when fitted with supplied flue spigot heat shield and Twin Wall Flue System. For full technical details see Installation Instructions.

The above information is to assist you in your choice of a suitable FireFX stove. It is not intended to be all the information required to install your stove; this can be obtained from your local retailer or you can view and download the relevant full installation instructions at www.firefxfires.com.



Eton



FireFX

Stovax Gazco Limited

Spitfire Avenue, Skypark, Clyst Honiton, Exeter, Devon, EX5 2FR

Trade Sales 01392 261999

Email info@firefxfires.com

[firefxfires.com](https://www.firefxfires.com)

Important Safety & Technical Information

A site survey by a qualified solid fuel installer is recommended before purchase, and all FireFX solid fuel stoves must be installed by an approved professional. Fires and stoves require adequate air supply; consult a competent person of solid fuel installations to advise if a fixed air vent is needed to meet Building Regulations. A Carbon Monoxide monitor is legally required. During use, all stove surfaces, particularly the glass panel in the door, become extremely hot and can cause serious injury if touched. Use a fireguard conforming to the latest version of BS 8423 when children, the elderly, or infirm are present.

Photography Information

FireFX pursue a policy of continuous product improvement, therefore, whilst our products are correct at the time of photography, we reserve the right to make alterations and amendments. Exact product details should be discussed with your retailer at the time of purchase.

FXSTOV0126

